

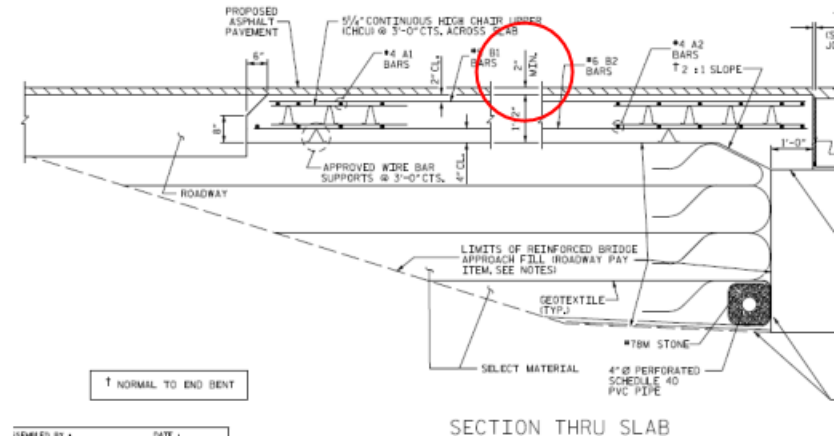
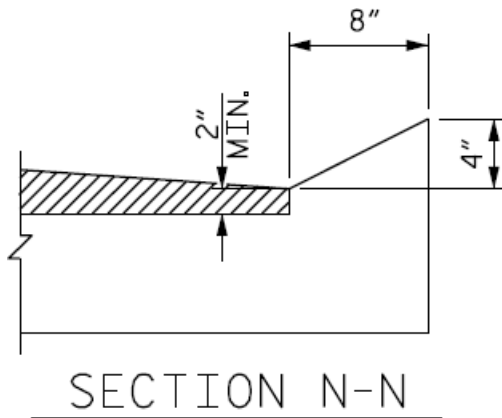
2_38 NEW APPROACH SLAB TEMPLATES WITH OVERLAY

Question:

What if I need to model my approach slab with an overlay?

Answer:

In compliance with the Structure Management Unit (SMU) policy, approach slabs for box beam and cored slab bridges should have either an asphalt wearing surface (AWS – 2" min.) or a concrete cover (CC – 3 ½" min.). The build material/overlay type on the approach slab should be consistent with the structure.



Please find the four newly created approach slab templates for use in your managed corridors.

Create Template

File Edit Add Tools

Template Library:

- _V8_WORKSPACE\ROADWAY_STDS\English\geopak\Comdor_Model
- ame List
- ment Standards
- nponents
- d Conditions
- nplates
- Functional Design Templates
- Standard Roadway Templates
- Approach Slab
 - Approach Slab Dual Span with FADSS TMP-1
 - Approach Slab Single Span with LDSS and AWS (NC) TMP-1
 - Approach Slab Single Span with LDSS and AWS (SE) TMP-1
 - Approach Slab Single Span with LDSS and CC (NC) TMP-1
 - Approach Slab Single Span with LDSS and CC (SE) TMP-1
 - Approach Slab Single Span with LDSS TMP-1
- Backbone Only
- Bridge
- Culvert
- Misc
- Right Side Only
- Road

Current Template

Name: Approach Slab Single Span with LDSS and AWS (NC) TMP-1

Description: Created 2013.12.10

Display

- Components
- Constraints
- Display Point Names
- Display All Components

Close

Help

Library Active Template